



UV selective Fibre optic amplifier

Series IFA-10/UV

- Limit frequency ≤ 100 Hz
- Response time ≤ 10 ms
- Analogue output 0.5 - 5 VDC
- Fibre optic adaption

- For glass and Plexiglass
- Silica glas fibres required

Principal features:

- Range **1-20 mm**
- Through beam mode * **1-100 mm**
- Limit frequency ≤ 100 Hz
- Supply voltage **12-30 VDC**
With polarity reversal protection and short circuit protection
- Either PNP or NPN switching output available
- Analogue output **0.5-5 VDC**
- Adjustable hysteresis
- Adjustable
OFF-delay timer **2-200 ms**
- Sensitivity adjustable
- Complementary outputs
- Wavelength typ. **290 nm**
- CE

* depending on fibre optic cable and glass thickness ≤ 120 mm

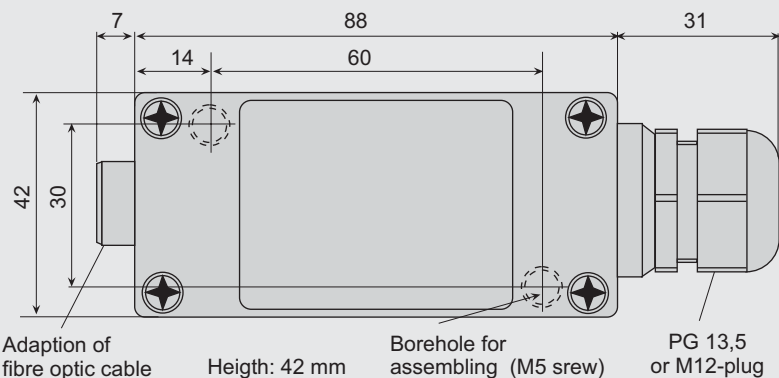
Typical applications:

- ≥ 0.1 mm glass sheet detection
- Glass sheet positioning with accuracy of 0.1 mm
- Stop position detection of glass sheets
- For glass, Plexiglass and CDs (nor for foils)

Advantages:

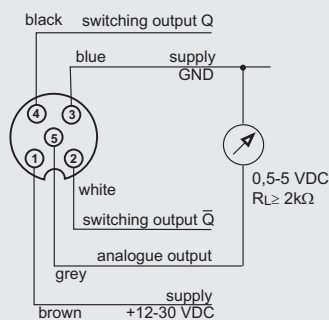
- Modular by fibre optic adaption
- Complementary outputs
- Compact design
- Analogue output
- Reproduceability ≥ 0.1 mm
- Compact design ideal where space is limited
- Customised UV-lucent fibre optic cables

Dimensions

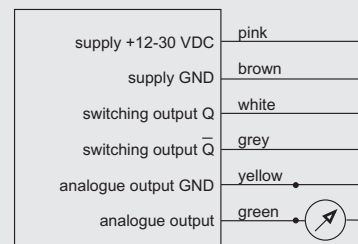


Wiring connections

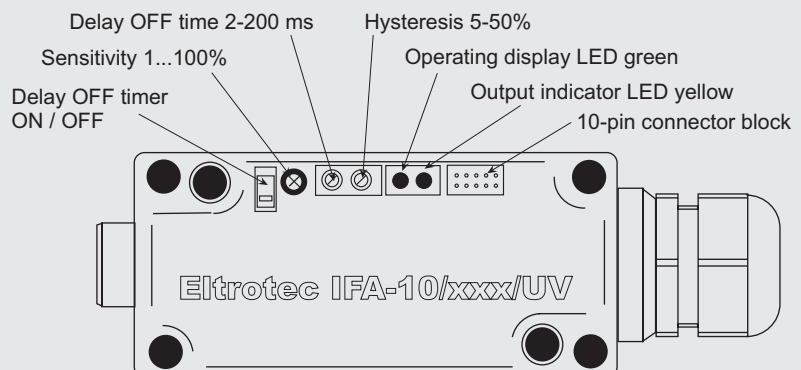
Plug version (2) IFA-10 / 0_2 / UV



Cable version (1) IFA-10 / 0_1 / UV



Operating and display elements

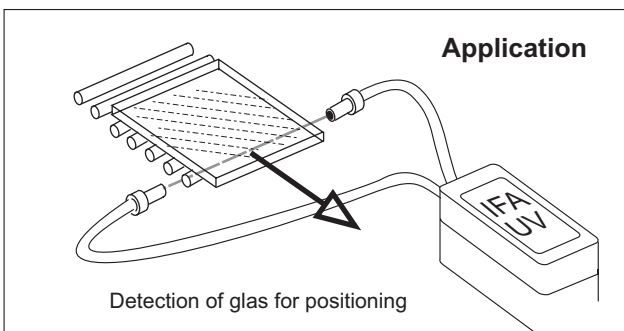


Technical data

Electrical data	Supply voltage U_B	12-30 VDC
	Residual ripple	$\leq 10 \%$
	Current consumption	$\sim 70 \text{ mA}$
Output	Switching output	PNP, NPN (depends on version)
	Operating mode	Q and \bar{Q} (light on / dark on switching)
	Output current	$\leq 200 \text{ mA}$
	Switching voltage	$\leq 30 \text{ V}$ (max. 36 V)
	Limit frequency	$\leq 100 \text{ Hz}$ (-3 dB)
	Response time	$\geq 10 \text{ ms}$
	Delay OFF time	2-200 ms (adjustable)
	Turn-on suppression	$\leq 200 \text{ ms}$
	Hysteresis	5-50 % (adjustable)
	Protection	polarity reverse + short circuit
	Analogue output	Voltage
Data on Light source	LED	UV, wavelength $\sim 290 \text{ nm}$
	Modulation frequency	2,8 kHz
Data on ambiente conditions	Permis. operating temp.	0 to +50 °C
	Permis. storage temp.	-25 to +70 °C
	Permis. relative humidity	90 % non-condensing
	Permis. life time	$\geq 5000 \text{ h}$
	Degree of protection	IP 65 (with mounted light cable)
Mechanical data	Dimensions	125 x 42 x 42 mm
	Weight	approx. 100 g
	Case material	Macrolon 8030/UL54V1, Transparent lid
	Connection	5-pin, M12 plug or connecting cable 2 m (depends on version)

Ordering information

Ordering code	\square x=Switching output IFA-10/0 x y — y=Connection type /UV		
Available types	Switching output		
		NPN	PNP
	Plug version	IFA-10/042/UV	IFA-10/022/UV Part No. 10063391
Cable version (5-pin, 2 m)	IFA-10/041/UV	IFA-10/021/UV	
Accessories	Reference	Part No.	
	PUR connection cable 5-pin with plug	11231168	
	UV fibre optic cable	FAD-M-A2.0-2,0-1200-UV on request / application specific	



Presented by: