

FLOW CONTROLLER



Ex - Amplifier

Series SS

Dust Ex II 2D IP 65 T 92 °C

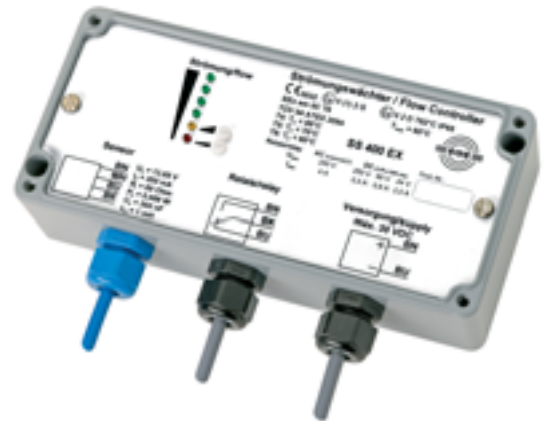
Gas Ex II (1) 2G EEx em [ia] IIC T6

DC 24 V

Relay output in Zone 1 / 21

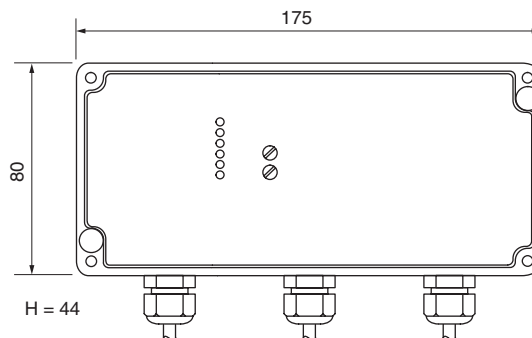
Installation Zone 1 / 21

Adjustment in Zone 1 / 21



Design SS 400 Ex

Dimensions



ID-No.	P11292				
Type	SS 400 Ex-24				
Supply voltage [V]	24 DC $\pm 15\%$				
Ex marking	II (1) 2G EEx em [ia] IIC T6 bzw. II 2D IP 65 T 92 °C				
Certificate No.	TÜV 04 ATEX 2554				
Ambient temperature for temperature classes [°C]	T6 : 60 T5 : 70 T4 : 85				
Maximum values	U _O = 13.65 V I _O = 200 mA P _O = 688 mW				
external capacitance Co	IIC: 360 nF	IIB: 1300 nF	IIA: 3000 nF		
external inductance Lo	IIC: 1 mH	IIB: 4.7 mH	IIA: 10 mH		
Output relay	increased safety				intrinsically safe
Switching voltage [V]	250 AC	250 DC	60 DC	24 DC	EEx ib IIC 30 V
Switching current [A]	2 AC	0.3 DC	0.8 DC	2 DC	IIC: 0.1 DC IIB: 0.25 DC IIA: 0.34 DC
Switching power	cos $\varphi \geq 0.7$ / L/R ≤ 200 ms				
Ambient temperature [°C]	-20...+60				
Protection [EN 60529]	IP 65				
Connection	sensor: 2 m PUR-fixed cable, blue, 4x0.25 mm ²			relay/supply: 2 m PVC-fixed cable 3x0.5 mm ² , 2x0.5 mm ²	

